

Epson PowerLite 822p Projector*

For further assistance, call the HelpDesk at x6-8555

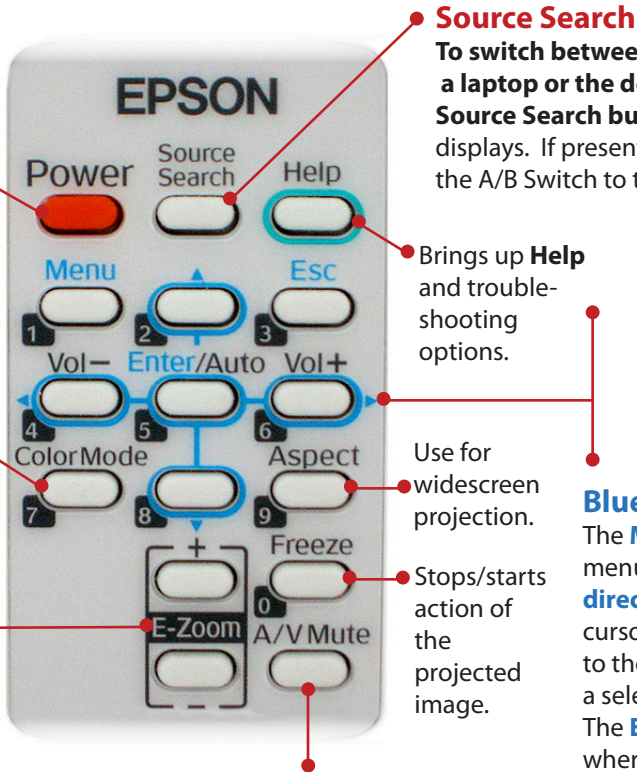
ON/OFF switch

(To turn the projector off once it's on, press the **Power** button once, and then press it again when prompted to do so.)

Use the **color mode** button to select a different setting that is appropriate for the image you're projecting and the environment in which you're projecting. The default/recommended mode for most settings is the **Presentation** mode.

The **E-Zoom** buttons -- (+) for zooming in and (-) for zooming out -- can be used in conjunction with the directional arrows to zoom in on a portion of the image.

* The projector has its own remote, about the size of a credit card; point the remote directly at the projector.



Source Search

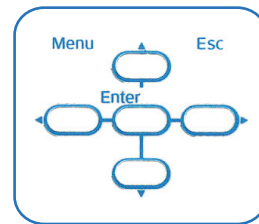
To switch between the computer, the DVD/VCR, a laptop or the document camera, press the **Source Search** button until the correct source displays. If present, you may also need to change the A/B Switch to the correct setting.

Brings up **Help** and troubleshooting options.

Use for widescreen projection.

Stops/starts action of the projected image.

The **A/V Mute** button turns off the image and sound and darkens your screen.



Blue colored/outlined items

The **Menu** button displays the menu where you can then use the **directional buttons** to move the cursor up, down, to the right and to the left. When you want to make a selection, press the **Enter** button. The **Esc** button -- depending upon where you're at -- can either make the menu disappear or it can enable you to move back/up a level within the menu.